

Scorpion Script

Fixed Frame Day Wheelchair 90480

To Order Fill in the frame dimensions and features required. For variations describe in detail on a separate page. If you have any further questions contact us at the address at the bottom of the page.

SEND FORM
If online, click here to send via e-mail

Date _____

Name _____

Address _____

Phone _____

Fax / Cell _____

Email _____

Disability _____ Weight _____ Height _____

Delivery details _____

Therapist details _____

Required by _____

TRIAL CHAIR REF: _____

_____ Shoe Size _____ T-Shirt Size _____

MEASUREMENTS (Refer to diagram below)

Frame Materials

Titanium only

A Seat Width _____

B Seat Length _____

C Back Height _____

D Back Angle° _____

E Seat to Footplate _____

F Frame Length _____

G Seat to Floor - Front _____

H Seat to Floor - Rear _____

I Balance Point
Limited to 1.5" - 5" _____

J Castor Pivot Position _____

K Castor Pivot Centres _____

L Footplate Width _____

M Camber (0° - 5°) _____

Front Hanger Taper Style

Pro T Front V Front

Camber Bar Position

Fixed (std)

Adjustable Position **AD10990**
Incurs additional weight

Castor Pivots

Bullet Standard

Ergo Seat Option **AD10220**

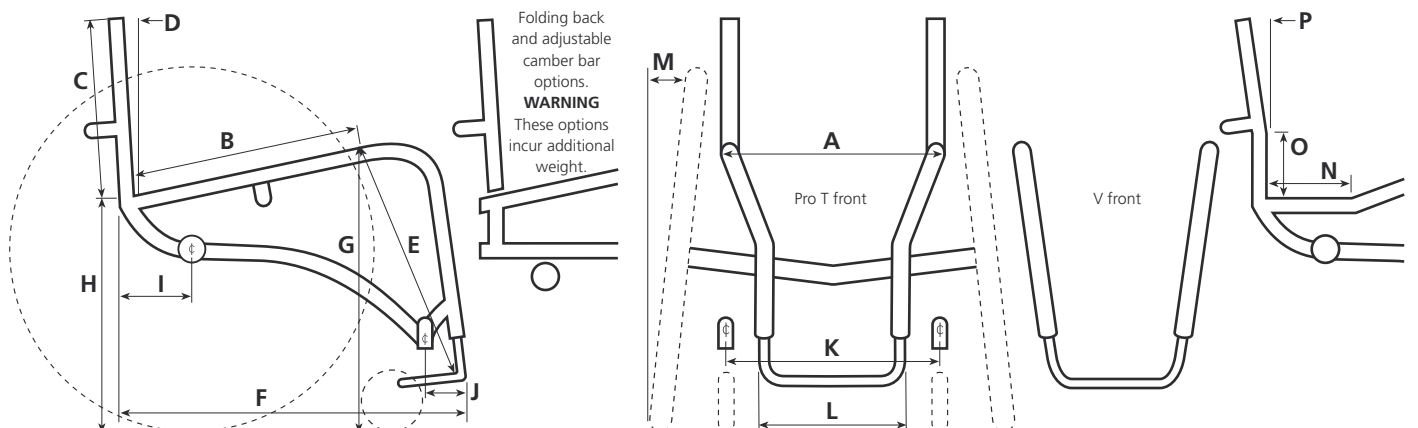
N Ergo Seat - Length _____

O Ergo Back - Height _____

P Ergo Back - Angle° _____

ADDITIONAL NOTES

(you can type here)



Scorpion Script Form

Fixed Frame Day Wheelchair

Name _____

BACK REST

- Fixed Back (std) Folding Back **AD10994**
Incurrs additional weight

FOOTPLATE

- Titanium D (std) Angle adjustable **AD11520** ABS on Footplate **AD11500** Fabric padded cover **AD11510**

CASTORS

- Rollerblade (std) 3" soft roll alloy **AD11800** 4" plastic (std) 5" plastic (std)
 4" x 1.25" alloy (std) 5" alloy (std)
 4" soft roll alloy **AD11806** 5" x 1.5" plastic (std)
 5" x 1.5" alloy (std)
 5" soft roll alloy **AD11810**

FORKS

- Ultralight Bearing Forks (for Bullet Castor Pivots only) (std) Frog Legs Suspension (for Standard Castor Pivots only) **AD11950**
 Standard Forks (for Standard Castor Pivots only) (std)

PUSH HANDLES

- Nil Removable (attached to back bar) **AD14100**

BRAKES

- Nil Scissor Composite (std) Ergo Scissor with spring (std) D's-Locks **AD14600**
 Scissor (std) Push to lock (std) Hill climbers **AD14530**
 Ergo Scissor (std) Pull to lock **AD14510**

ANTI-TIPS

- Nil Pair of single anti-tips with plastic wheels **AD15000**
 Pair of single anti-tips with rollerblades **AD15030**

UPHOLSTERY

- Sling wrap-around (std) Lightweight tension adj back (std) No cushion Bag under chair **AD16600**
 Sling screwed down (std) Tension adjustable back **AD16010** Cushion 1" **AD16201** Bag on back of chair **AD16680**
 Cushion 2" **AD16202** Bag on right front hanger **AD16620**
 Cushion 3" **AD16203** Bag on front left hanger **AD16620**
 Wheel bag **AD16780**

SKIRT GUARDS

- Nil ABS drop in **AD16110** Alloy fixed **AD16130** Carbon Fibre fixed **AD16161**
 Fabric skirt guards **AD16100** ABS fabric covered **AD16120** Alloy folding **AD16140** Carbon Fibre folding **AD16160**

STRAPS, IMPACT GUARDS

- Leg Strap (std) Impact Guards front hangers **AD16400** Back Bar (Grab Bar) cover **AD16420**

FRAME COLOUR

- Bead Blast (std) Polished **AD10120**

Scorpion Script Form

Fixed Frame Day Wheelchair

Name _____

WHEELS**24"**

- Spoked Wheels (std)
- Spinergy Day Wheels (18 spoke) (std) (Choose your spoke colour) **Bk R Bl W Y**
- Spinergy LX Wheels (12 spoke) (std) (Choose your spoke colour) **Bk R Bl W Y Gr Pk O**
- Spinergy LX Wheels with FlexRim (12 spoke - black only) **AD13315**
- Spinergy XLX Cross Laced Wheels (12 spoke) **AD13311** (Choose your spoke colour) **Bk R Bl W Y Gr Pk O**
- Spinergy LXL Blade Wheels (18 spoke) **AD13317** (Choose your spoke colour) **Bk R Bl W Y Gr Pk O**
- X Core Wheels (5 spoke) **AD13108**
- Topolino Wheels **AD13350**
- Dino Wheels **AD13360** (Choose your spoke colour) **Bk R Bl Sv Go Gr Pk O LB Pu**

25"

- Spoked Wheels (std)
- Spinergy Day Wheels (18 spoke) (std) (Choose your spoke colour) **Bk R Bl W Y**
- Spinergy LX Wheels (12 spoke) (std) (Choose your spoke colour) **Bk R Bl W Y Gr Pk O**
- Spinergy LX Wheels with FlexRim (12 spoke - black only) **AD13315**
- Spinergy XLX Cross Laced Wheels (12 spoke) **AD13311** (Choose your spoke colour) **Bk R Bl W Y Gr Pk O**
- Spinergy LXL Blade Wheels (18 spoke) **AD13317** (Choose your spoke colour) **Bk R Bl W Y Gr Pk O**
- X Core Wheels (3 spoke) **AD13200**
- Topolino Wheels **AD13350**
- Dino Wheels **AD13360** (Choose your spoke colour) **Bk R Bl Sv Go Gr Pk O LB Pu**

26"

- Spoked Wheels (std)
- Spinergy Day (18 spoke) (std) (Choose your spoke colour) **Bk R Bl W Y**
- Spinergy LX (12 spoke) (std) (Choose your spoke colour) **Bk R Bl W Y Gr Pk O**
- Spinergy XLX Cross Laced Wheels (12 spoke) **AD13311** (Choose your spoke colour) **Bk R Bl W Y Gr Pk O**
- Spinergy LXL Blade Wheels (18 spoke) **AD13317** (Choose your spoke colour) **Bk R Bl W Y Gr Pk O**

 Spare Wheel(s) Type: _____

Tyres: _____

Pushrims: _____

Size: _____

AXLES

- Quick release axles (std) Quad release **AD12500**

PUSHRIMS

- Anodised (std) Vinyl (1") **AD13859** Surge Lite **AD13864** Q Grip **AD13865**
- Anodised (1") **AD13855** Rubber coated (black) **AD13850** Natural Fit Lite **AD13860** Spinergy FlexRim - see Wheels
- Vinyl **AD13830** Rubber coated (1") **AD13857** RibGrips **AD13866**

PUSHRIMS - POSITION

- Standard In close Onto rim

SPOKE GUARDS

- Nil Clear polycarb **AD13900** Black ABS **AD13901**

TYRES**24"**

- 24" x 1" HP Smooth (std)
- 24" x 1" HP Tread (std)
- 24" x 1" Solid (std)
- 24" x 1-3/8" Tread (std)
- 24" x 1-3/8" Solid (std)
- 24" x 1-3/8" Kenda HP Tread **AD13710**
- 24" x 1-3/8" Knobbly V-Trak **AD13715**
- 24" x 1" Kenda Ironcap Blue **AD13700**
- 24" x 1" Kenda Konstrictor **AD13720**
- 24" x 1" Schwalbe Right Run **AD13740**
- 24" x 1" Schwalbe Marathon Evo **AD13750**

25"

- 25" x 1" HP Smooth (std)
- 25" x 1" Solid (std)
- 25" x 1" Kenda Ironcap Blue **AD13700**
- 25" x 1" Kenda Konstrictor **AD13720**
- 25" x 1" Schwalbe Right Run **AD13740**
- 25" x 1" Schwalbe Marathon Evo **AD13750**

26"

- 26" x 1" HP Smooth (std)
- 26" x 1-3/8" Tread (std)
- 26" x 1" Solid (std)
- 26" x 1" Schwalbe Right Run **AD13740**
- 26" x 1" Schwalbe Marathon Evo **AD13750**

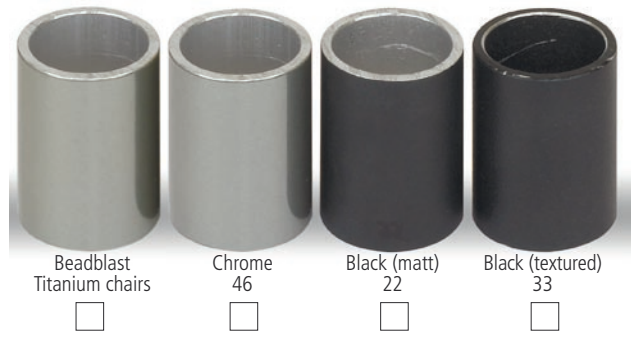
Name _____

ATTENTION

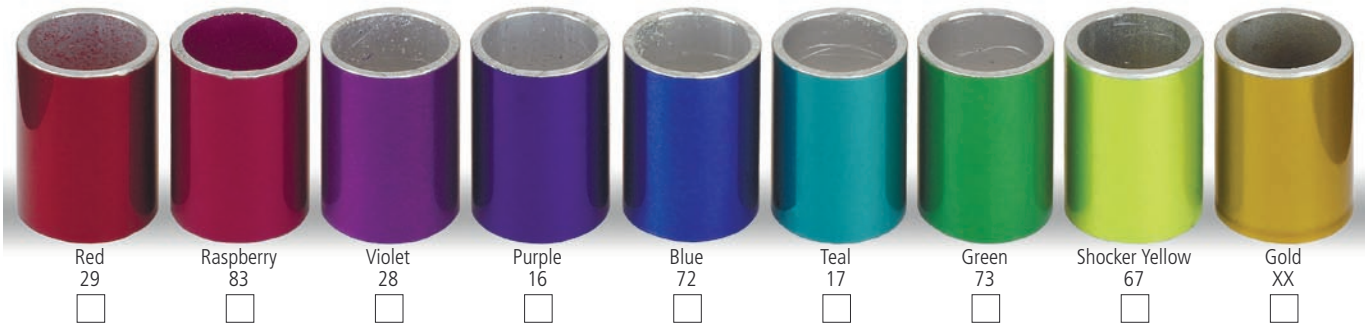
THIS IS A GUIDE TO COLOURS ONLY, how colours appear on your monitor or when printed out may vary.

Talk to us if you want your Titanium frame coloured or polished. *Colour availability is subject to change without notice.*

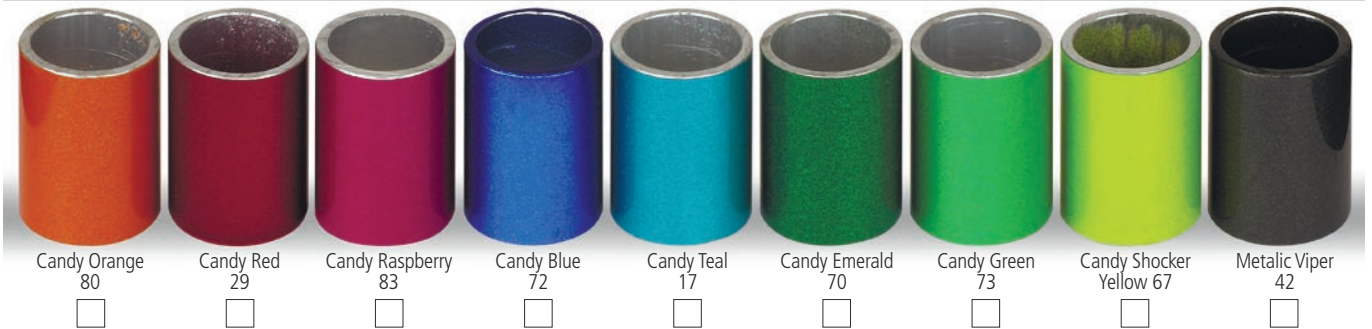
STANDARD & ENABLE CLIENT COLOURS



GLASS COLOURS



CANDY COLOURS



CANDY COLOURS (SPECIAL)



FLUORESCENT COLOURS

